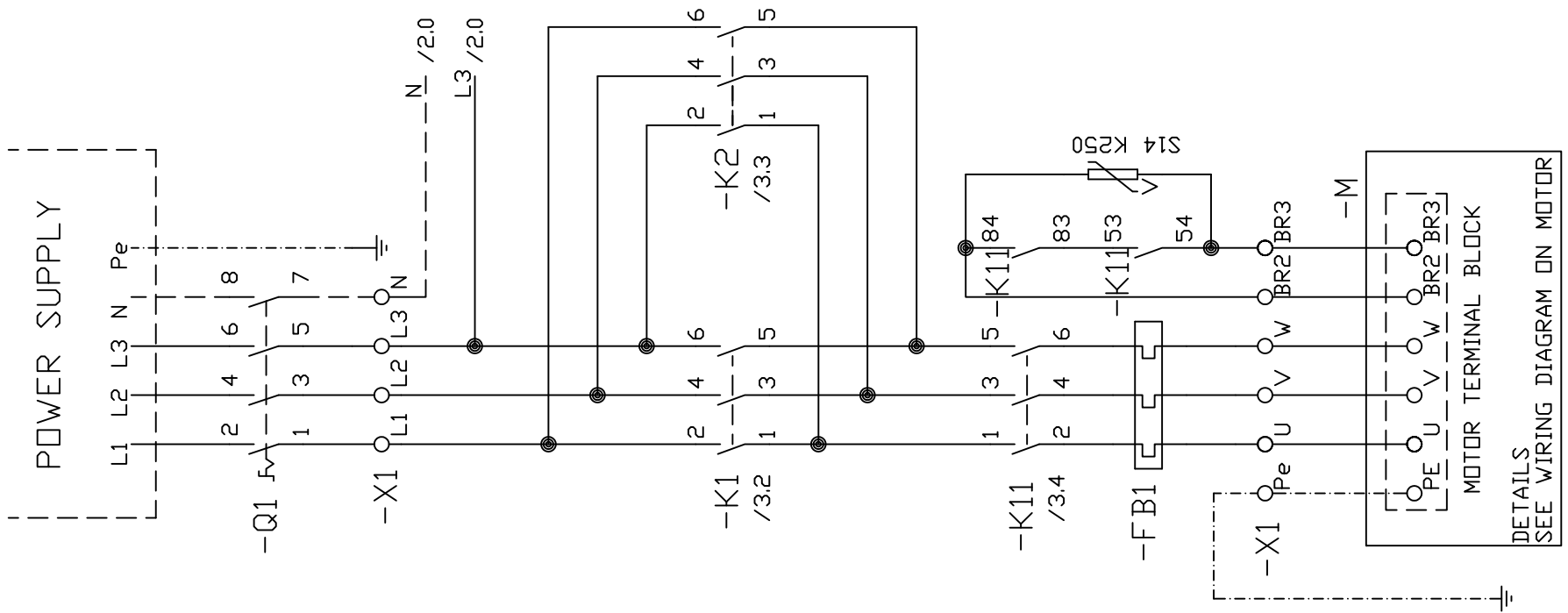
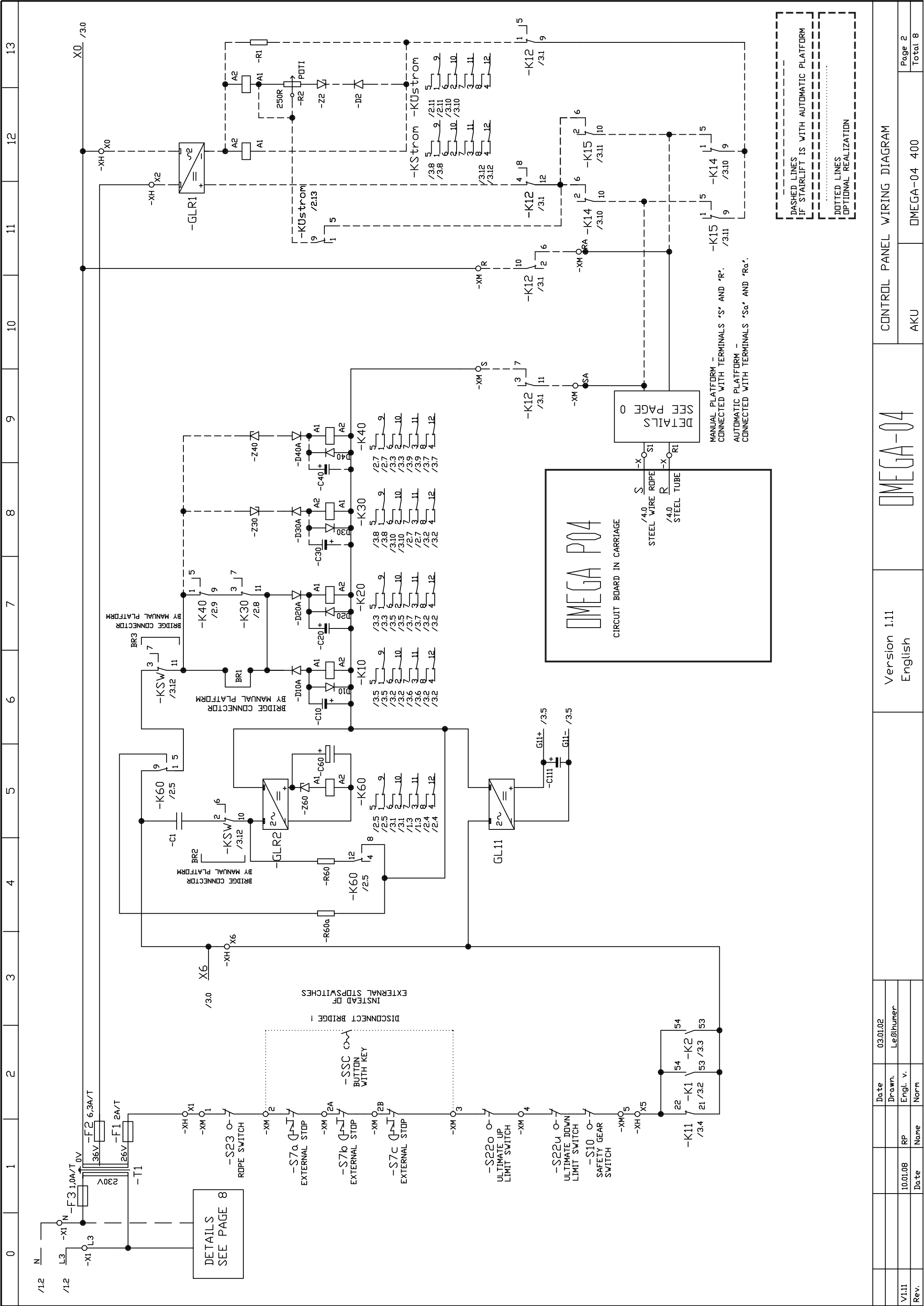


OMEGA-04 400V



- K1 UP CONTACTOR
- K2 DOWN CONTACTOR
- K10 UP CONTROL RELAY
- K20 DOWN CONTROL RELAY
- K30 BARRIER ARM RELAY, OPEN/CLOSE FROM CARRIAGE
- K40 BARRIER ARM RELAY, OPEN/CLOSE FROM CARRIAGE
- K11 MAIN CONTACTOR
- K12 CHANGE-OVER RELAY, CONTROL OR PLATFORM MOTOR DRIVE
- K14 PLATFORM DOWN /OPEN/ CONTACTOR
- K15 PLATFORM UP /CLOSE/ CONTACTOR
- K16 PLATFORM MOTOR CONTACTOR, CONTROL FROM EXT. CONTR. UNIT
- K17 PLATFORM MOTOR CONTACTOR, CONTROL FROM CARRIAGE
- K014 PLATFORM DOWN /OPEN/ CONTROL RELAY
- K015 PLATFORM UP /CLOSE/ CONTROL RELAY
- KM PLATFORM MOTOR RELAY
- KStrom PLATFORM MOTOR CURRENT RELAY
- KÜStrom PLATFORM MOTOR OVERCURRENT RELAY
- Ksw BARRIER ARM RELAY
- K29 MIDDLE STOP RELAY
- K60 VOLTAGE CONTROL RELAY

Test No. C. board in carriage: Main c. board:	Signature: Date:
---	---------------------



DETAILS
SEE PAGE 8

OMEGA P04
CIRCUIT BOARD IN CARRIAGE

SEE PAGE 0
S
STEEL WIRE ROPE /40
R
STEEL TUBE /40

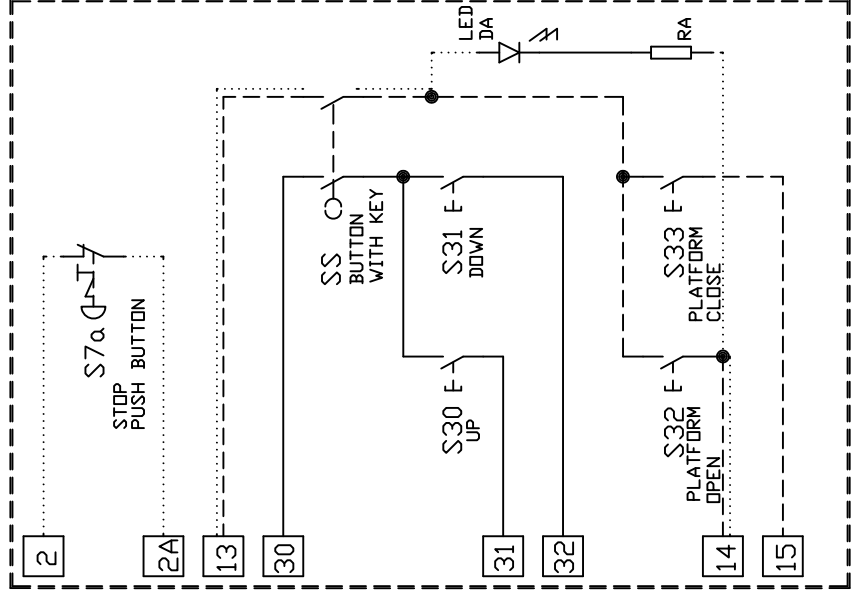
MANUAL PLATFORM -
CONNECTED WITH TERMINALS 'S' AND 'R'.
AUTOMATIC PLATFORM -
CONNECTED WITH TERMINALS 'Sa' AND 'Ra'.

DASHED LINES
IF STAIRLIFT IS WITH AUTOMATIC PLATFORM
.....
DOTTED LINES
OPTIONAL REALIZATION

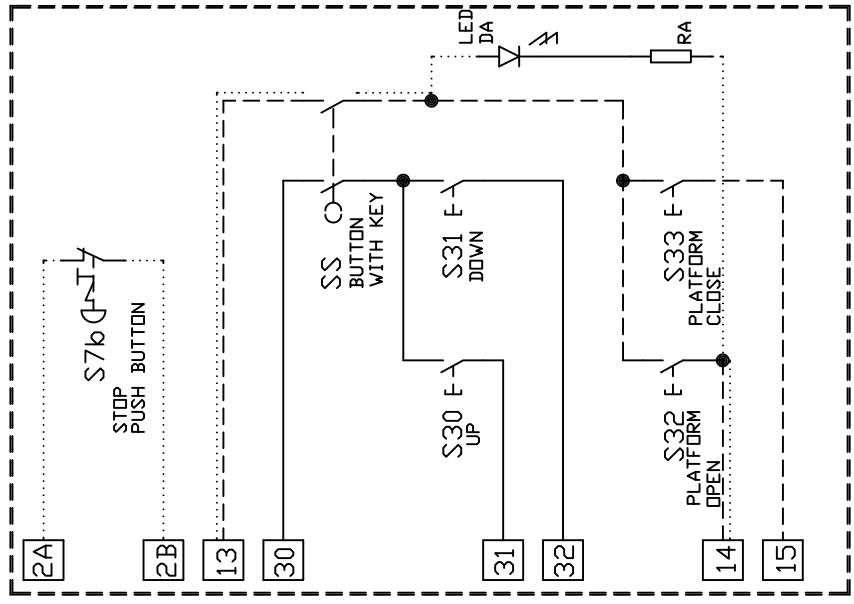
Rev.	V111	Date	10.01.08	Drawn.	RP	Date	03.01.02	Version 1.11 English		OMEGA-04		CONTROL PANEL WIRING DIAGRAM		Page 2 Total 8
								AKU	OMEGA-04	400				

LANDING CONTROLS - BACO SYSTEM

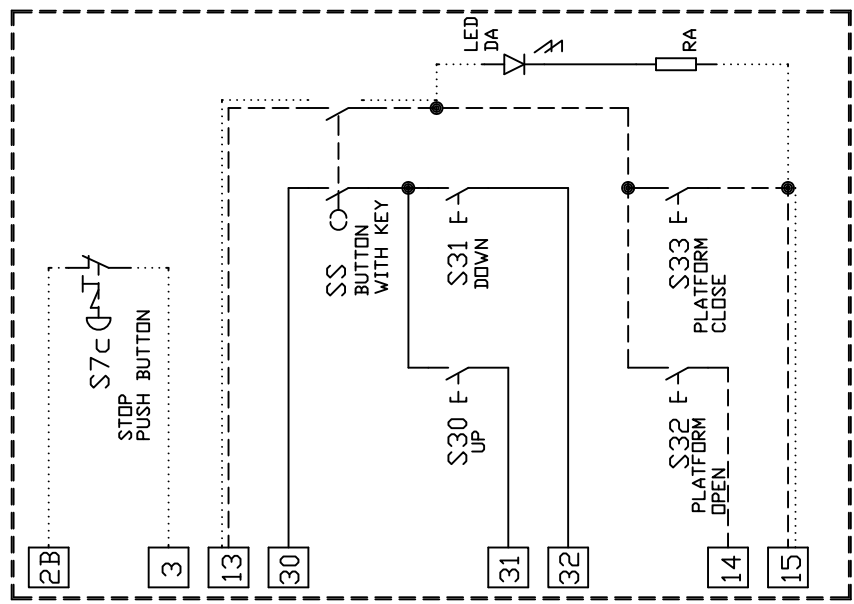
UPPER LANDING CONTROL UNIT



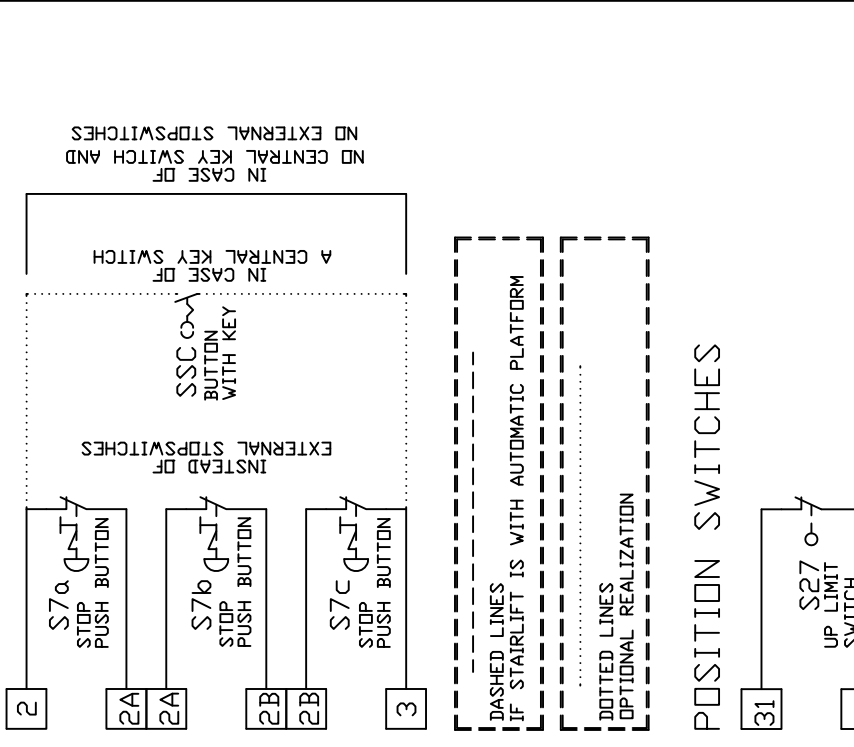
MIDDLE LANDING CONTROL UNIT



LOWER LANDING CONTROL UNIT

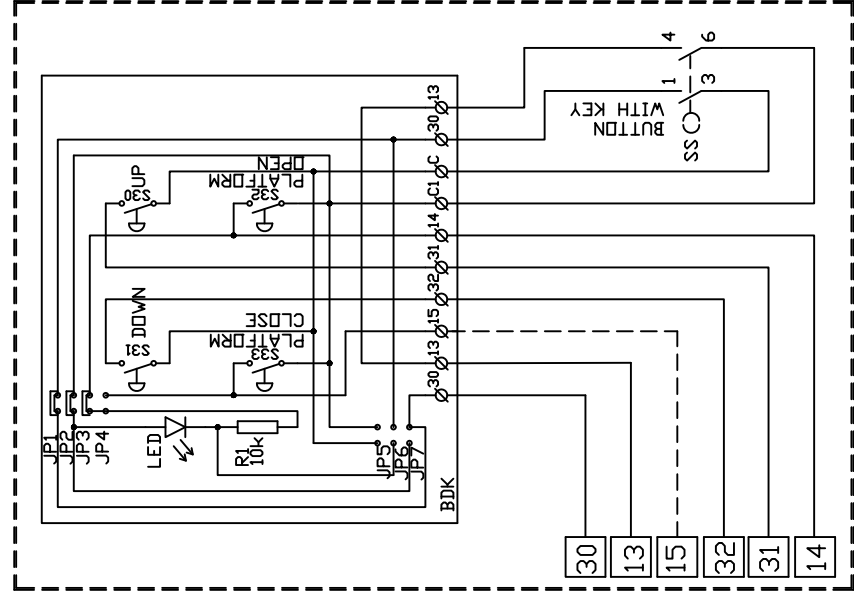


UPPER LANDING CONTROL UNIT

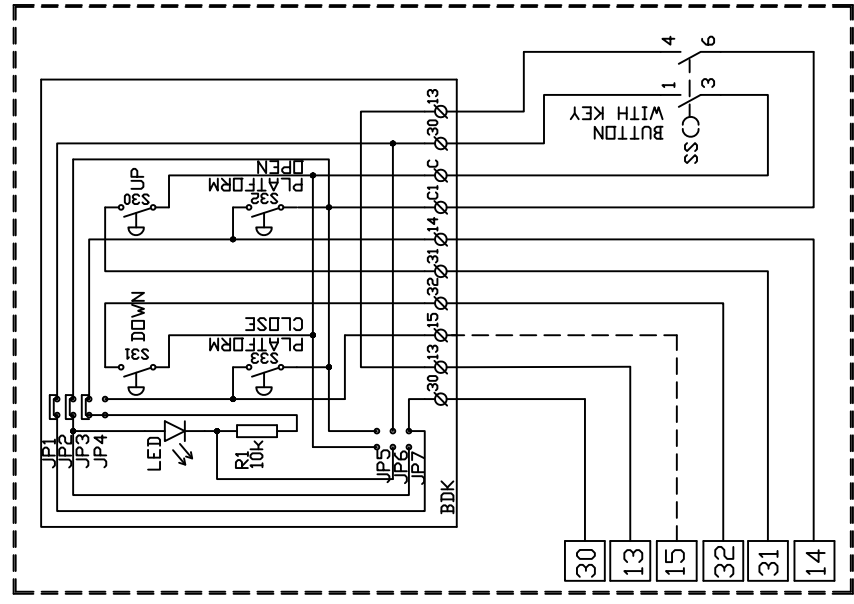


LANDING CONTROLS WITH MEMBRANE KEYPAD

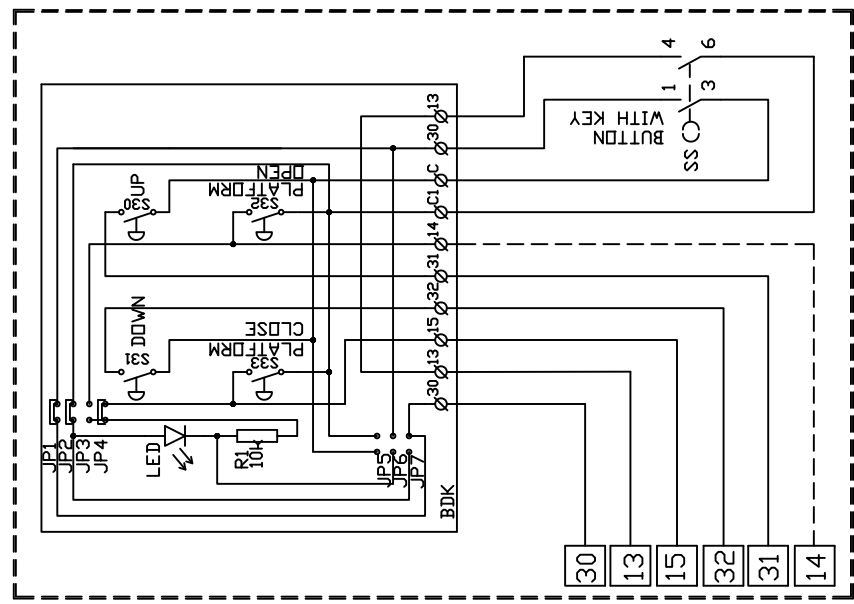
UPPER LANDING CONTROL UNIT



MIDDLE LANDING CONTROL UNIT



LOWER LANDING CONTROL UNIT

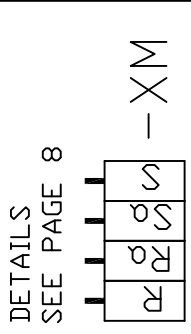


TERMINAL BLOCK - MAIN CIRCUIT BOARD OMEGA-04

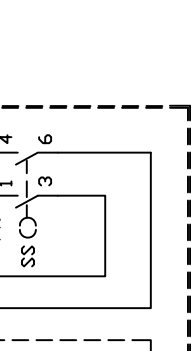
15	15	15	15	42	43	30	30	30	30	31	31	31	31	32	32	32	33	34
----	----	----	----	----	----	----	----	----	----	----	----	----	----	----	----	----	----	----

TERMINAL BLOCK - MAIN CIRCUIT BOARD OMEGA-04

1	2	2	2A	2A	2B	2B	3	3	4	4	5	14	14	14	14	13	13	13
---	---	---	----	----	----	----	---	---	---	---	---	----	----	----	----	----	----	----

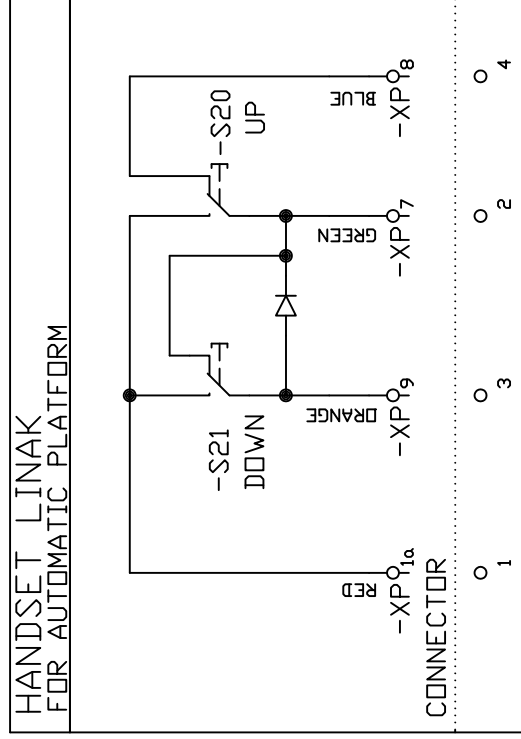
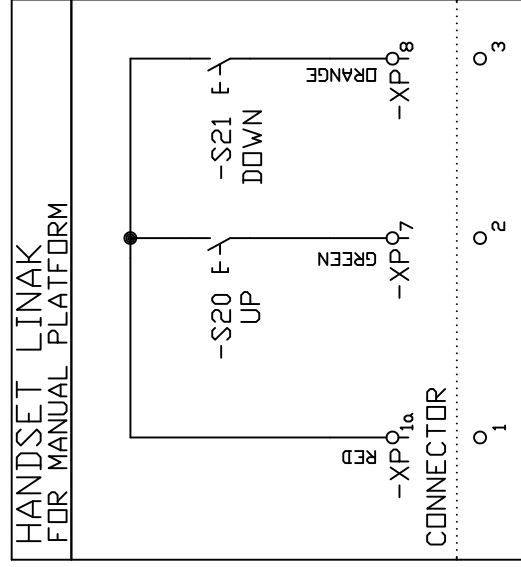
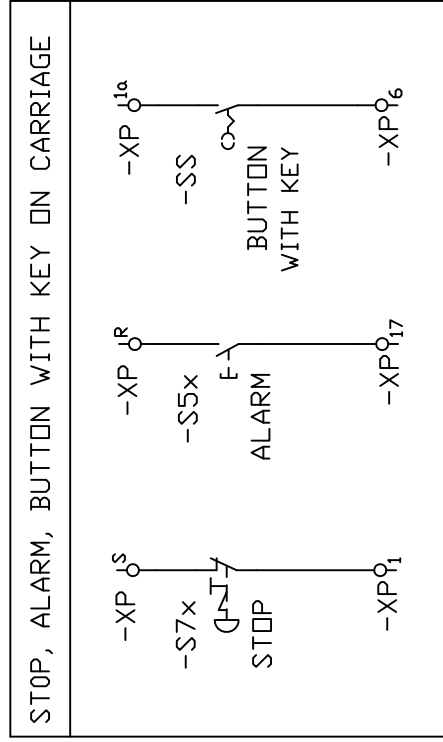


CONNECTED IF STAIRLIFT IS WITH STANDARD DRIVE
CONNECTED IF STAIRLIFT IS WITHOUT MIDDLE STOP

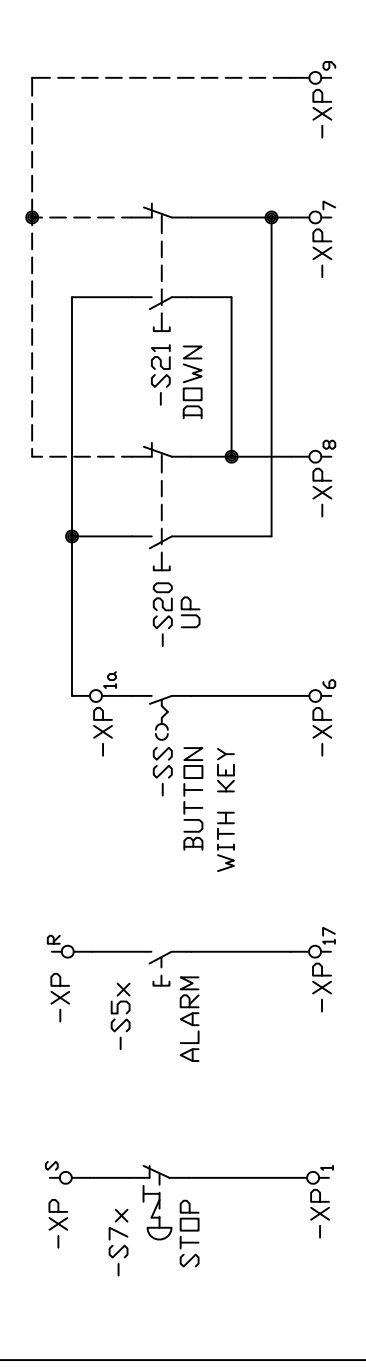


DETAILS SEE PAGE 8

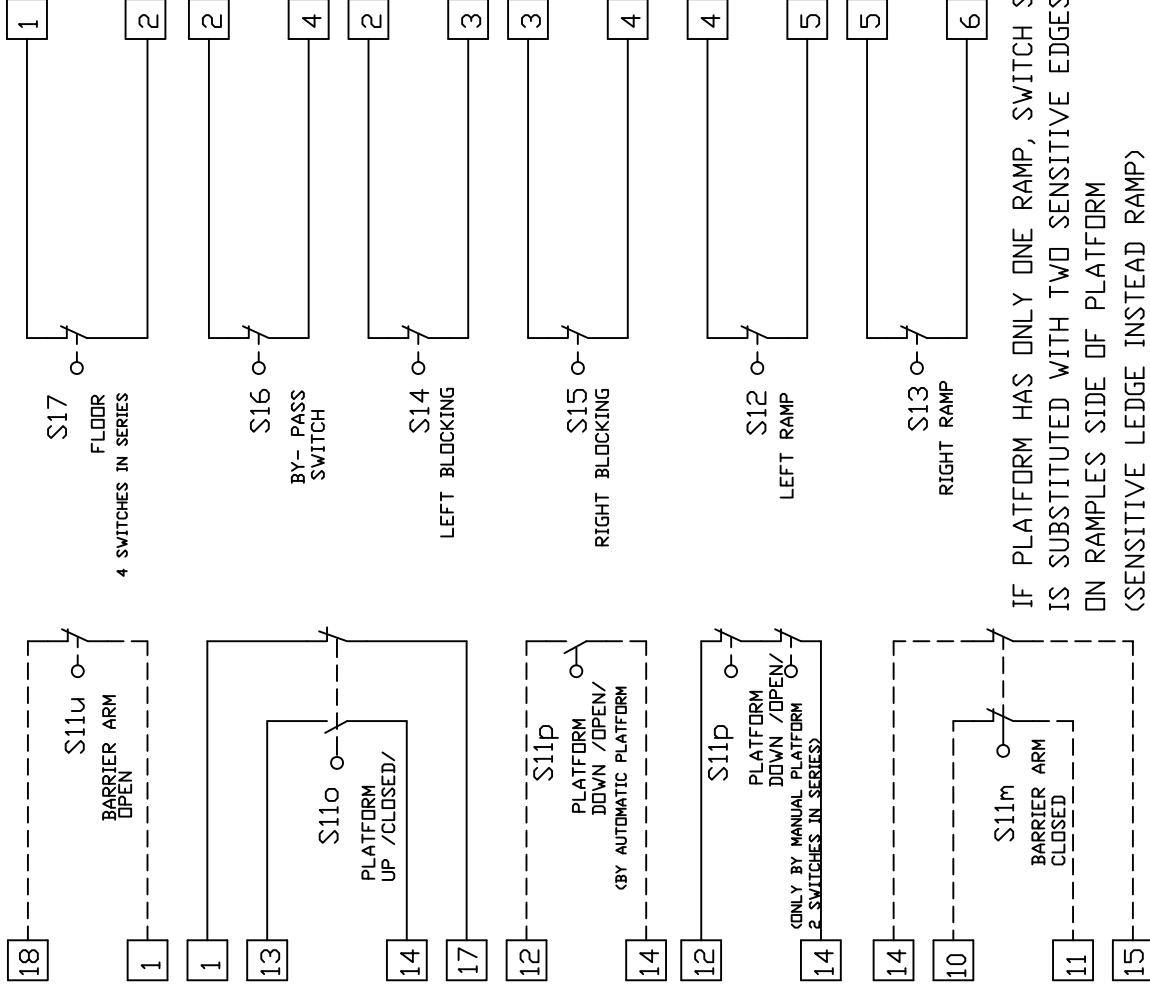
PLATFORM CONTROL DEVICES



CONTROLLER - STOP, ALARM, BUTTON WITH KEY AND JOYSTIC OR KNOB



POSITION SWITCHES - PLATFORM



IF PLATFORM HAS ONLY ONE RAMP, SWITCH S12 (S13) IS SUBSTITUTED WITH TWO SENSITIVE EDGES SWITCHES ON RAMPLES SIDE OF PLATFORM (SENSITIVE LEDGE INSTEAD RAMP)

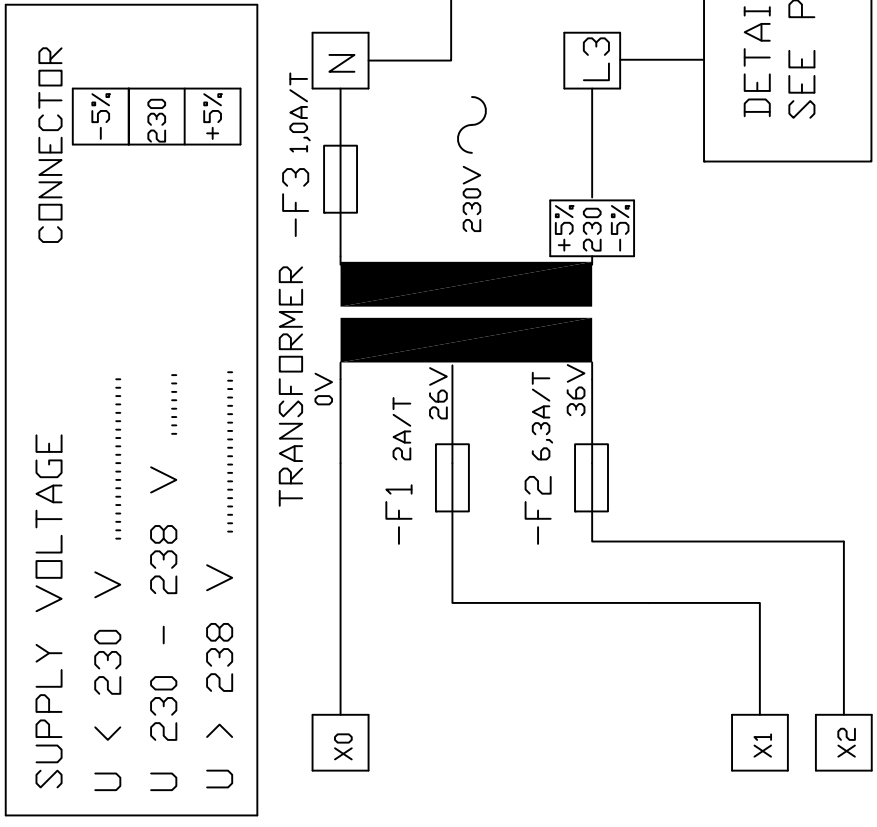
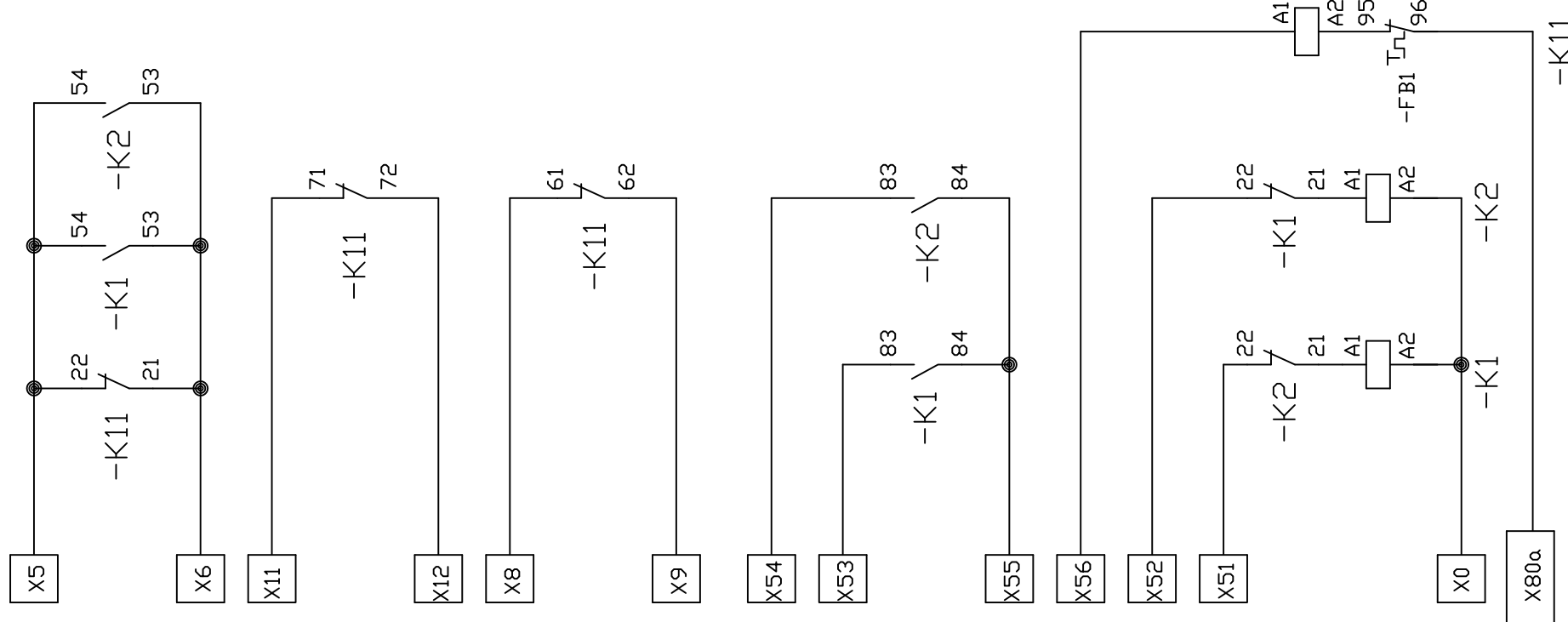
DASHED LINES IF STAIRLIFT IS WITH AUTOMATIC PLATFORM

 DOTTED LINES OPTIONAL REALIZATION

TERMINAL BLOCK - CIRCUIT BOARD OMEGA-P-04 ON CARRIAGE

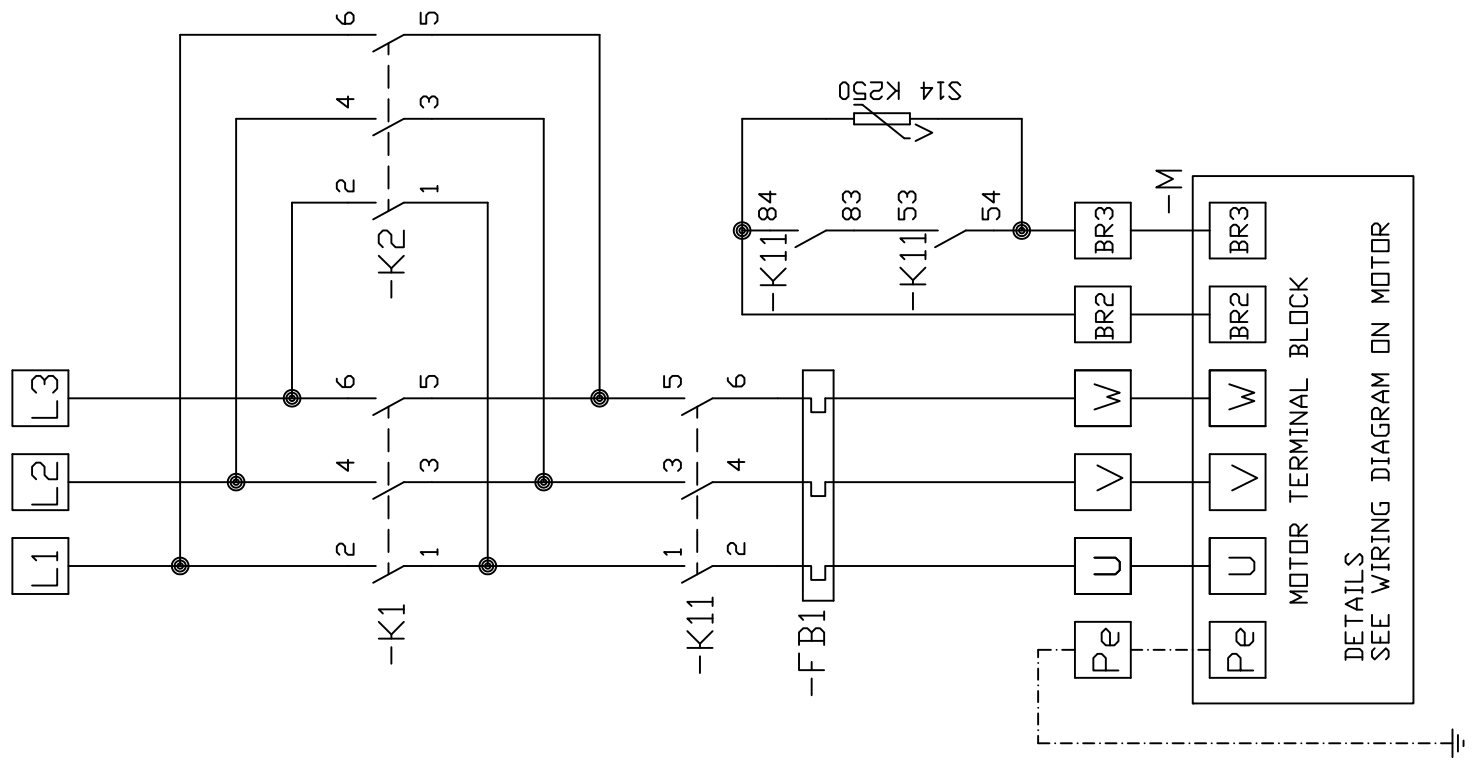
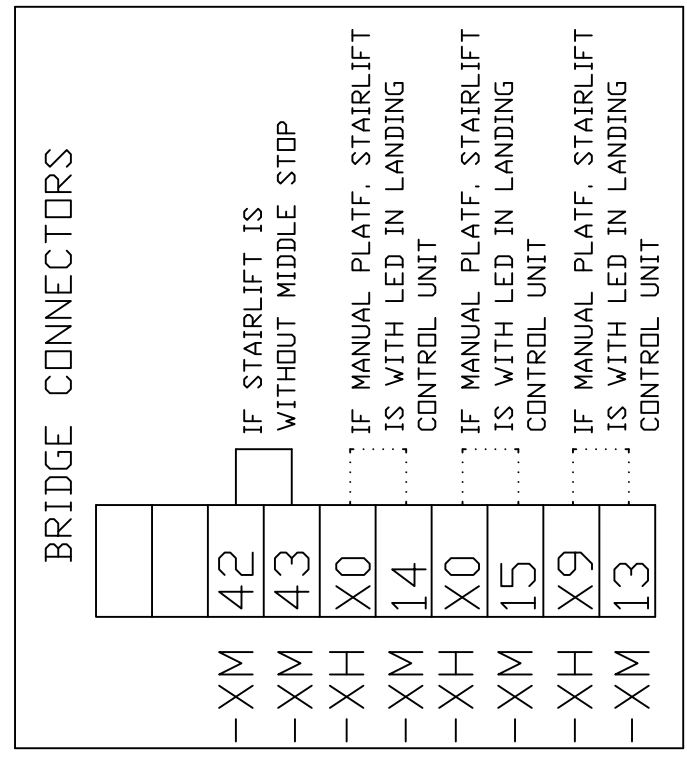
R	19	20
R	1	2
S	1a	1
S	5	6
S	7	8
S	10	11
S	12	13
S	14	14
S	15	17
S	17	18
S	18	1
S	19	1
S	20	1

X0
X0
X1
X2
X5
X6
X8
X8
X9
X11
X12
X51
X52
X53
X54
X55
X56
NR
NR
X80a



L1
L2
L3
N
N
PE
PE
U
V
W
BR2
BR3

POWER SUPPLY TERMINAL BLOCK



MOTOR TERMINAL BLOCK
DETAILS SEE WIRING DIAGRAM ON MOTOR

MOTOR CONNECTION DIAGRAM

OMEGA-04

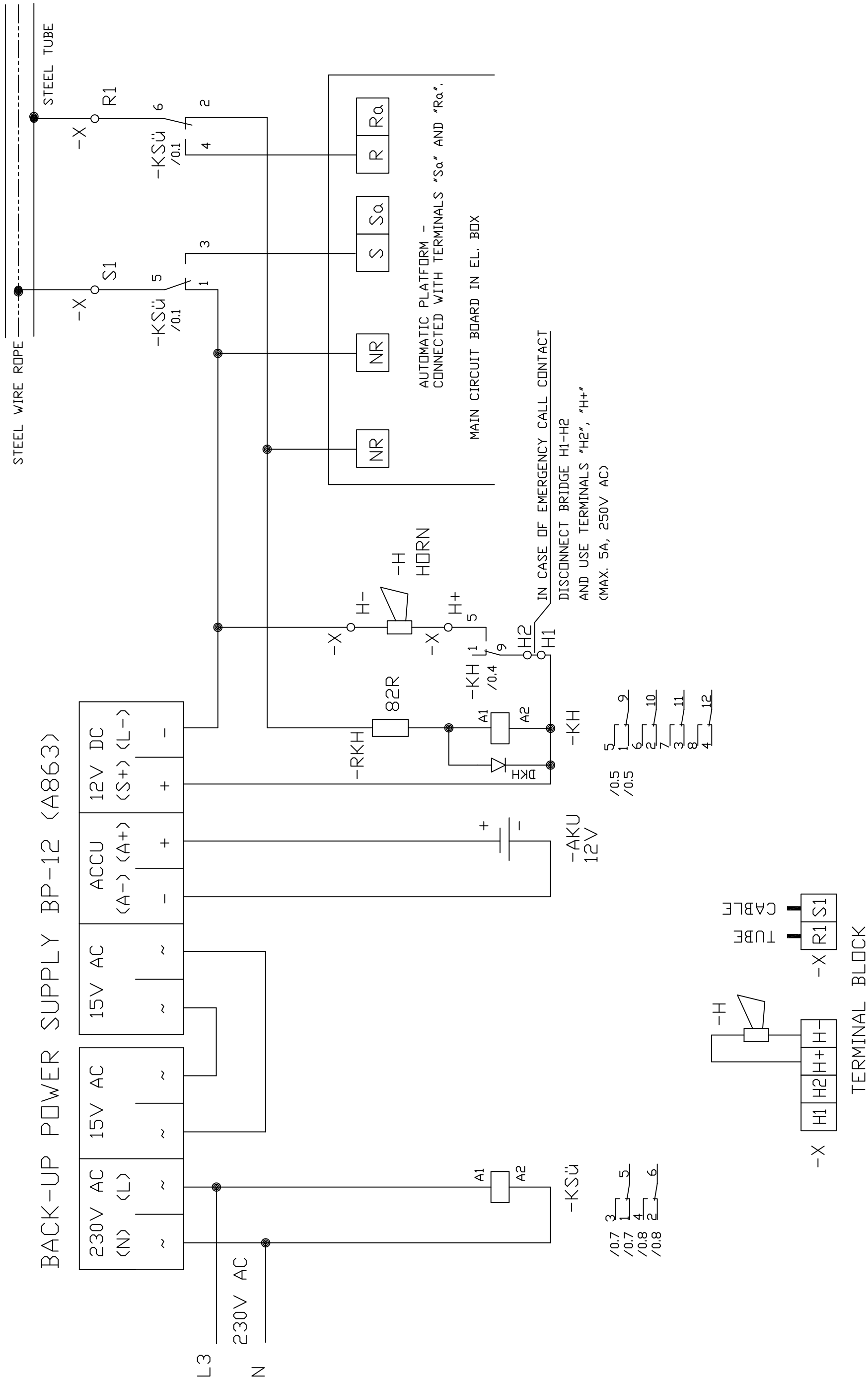
Version 1.11
English

Rev.	V1.11	Date	10.01.08	Name	RP	Date	03.01.02
		Drawn	LeBlhumer				
		Engl.v.					
		Norm					

AKU

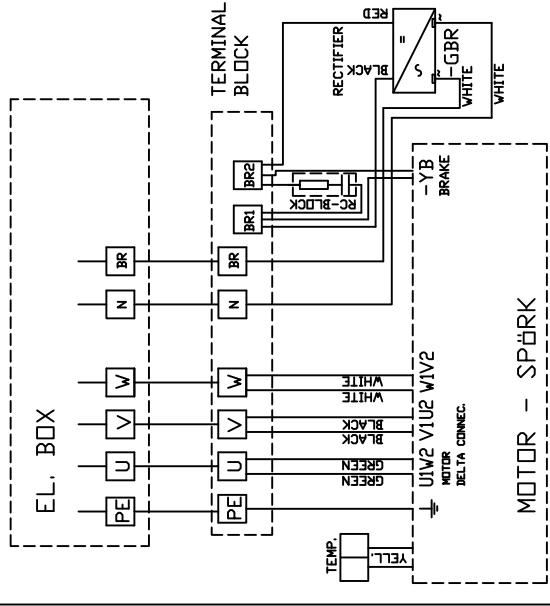
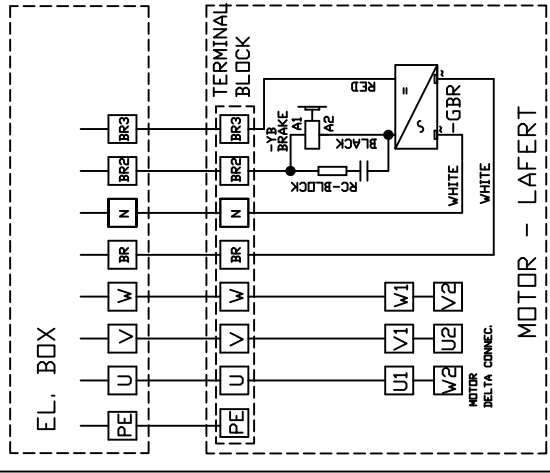
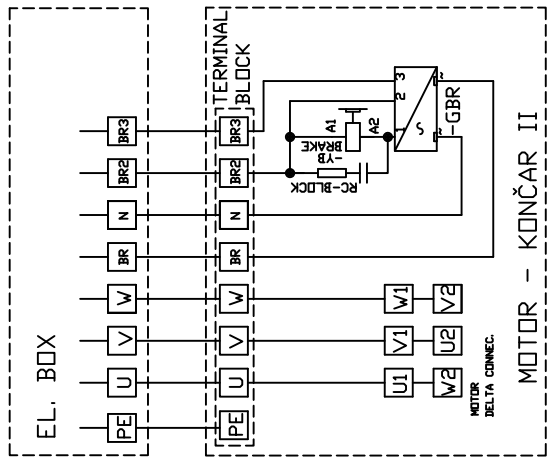
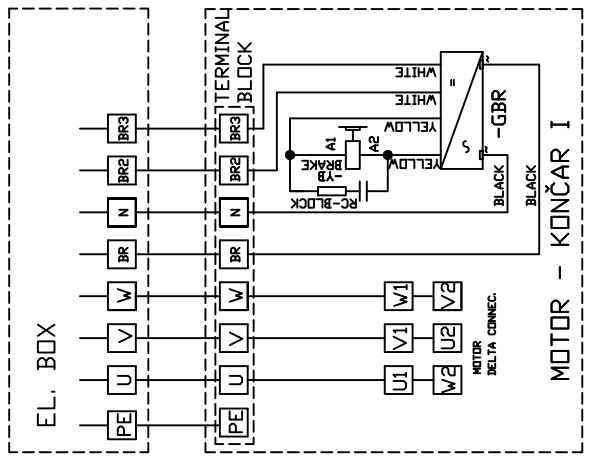
OMEGA-04 400

BACK-UP POWER SUPPLY BP-12 (A863)

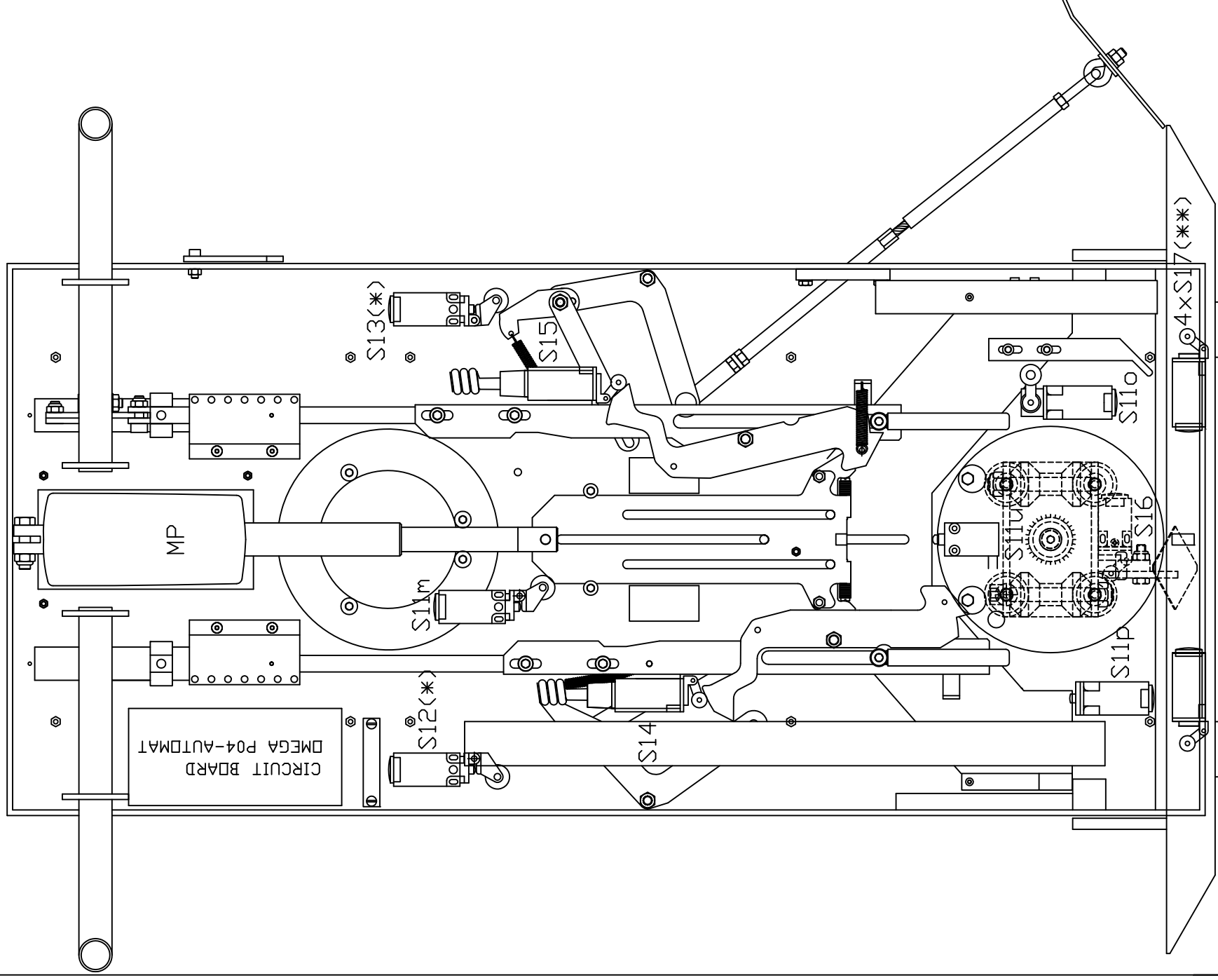


Rev.	V1.11	Date	10.01.08	Name	RP	Date	03.01.02	Drawn	LeBlhumer
EMERGENCY CALL WITH BATTERY BACKUP						AKU		OMEGA-04	
Version 1.11						English		OMEGA-04	
Page 8						Total 8		OMEGA-04 400	

RECAP OF MOTOR WIRING DIAGRAM
 YOU FIND ACTUAL WIRING DIAGRAM ON EVERY MOTOR.



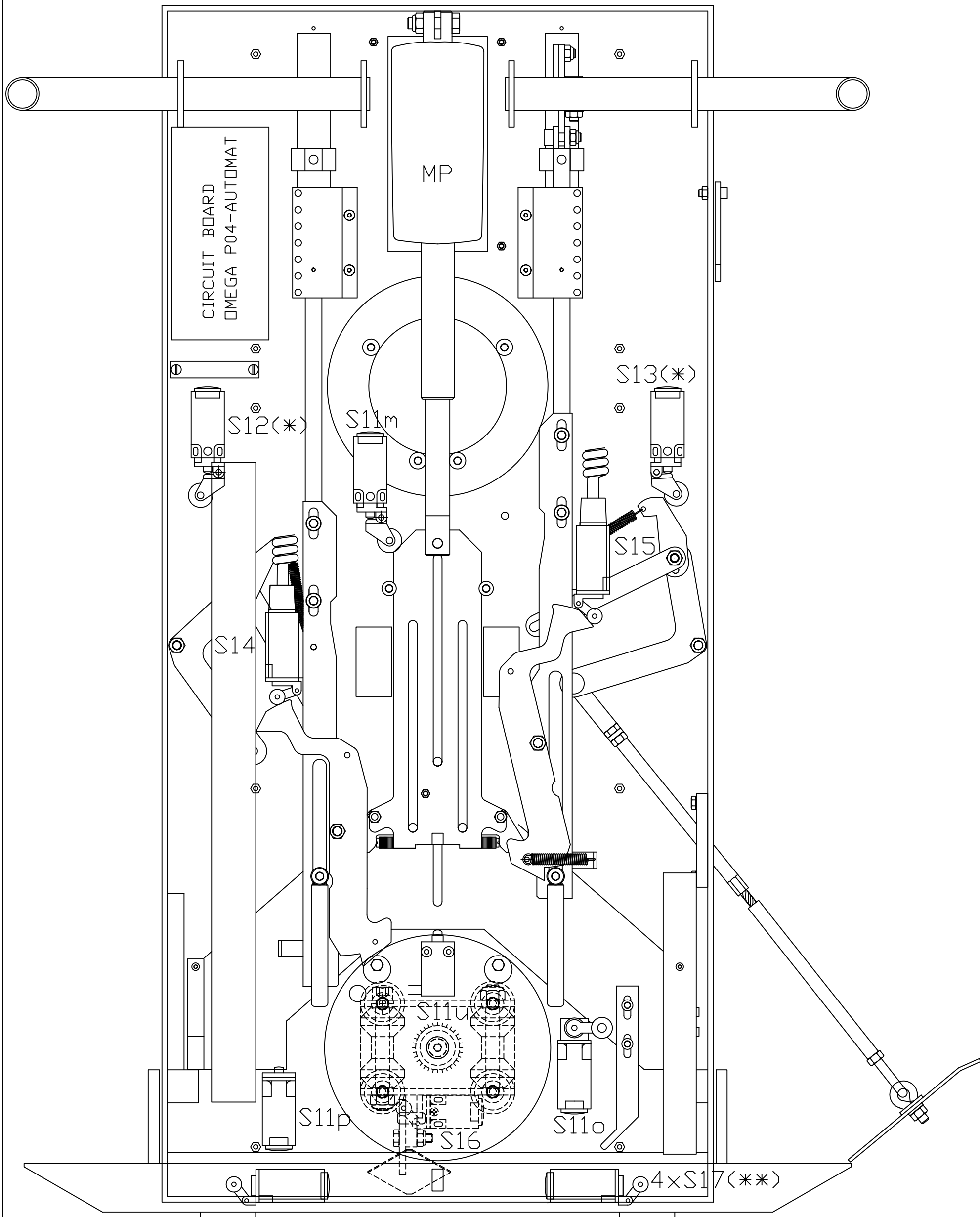
NEW STANDARD



NOTE

- (*) IF PLATFORM HAS ONLY ONE RAMP, SWITCH S12 (S13) TYPE FR607 IS SUBSTITUTED WITH TWO SENSITIVE EDGES SWITCHES TYPE FR501 ON RAMPLES SIDE
- (**) 4 FLOOR SWITCHES ONLY BY PLATFORM WITH SAFETY BOTTOM

**POSITION SWITCHES
AUTOMATIC PLATFORM**

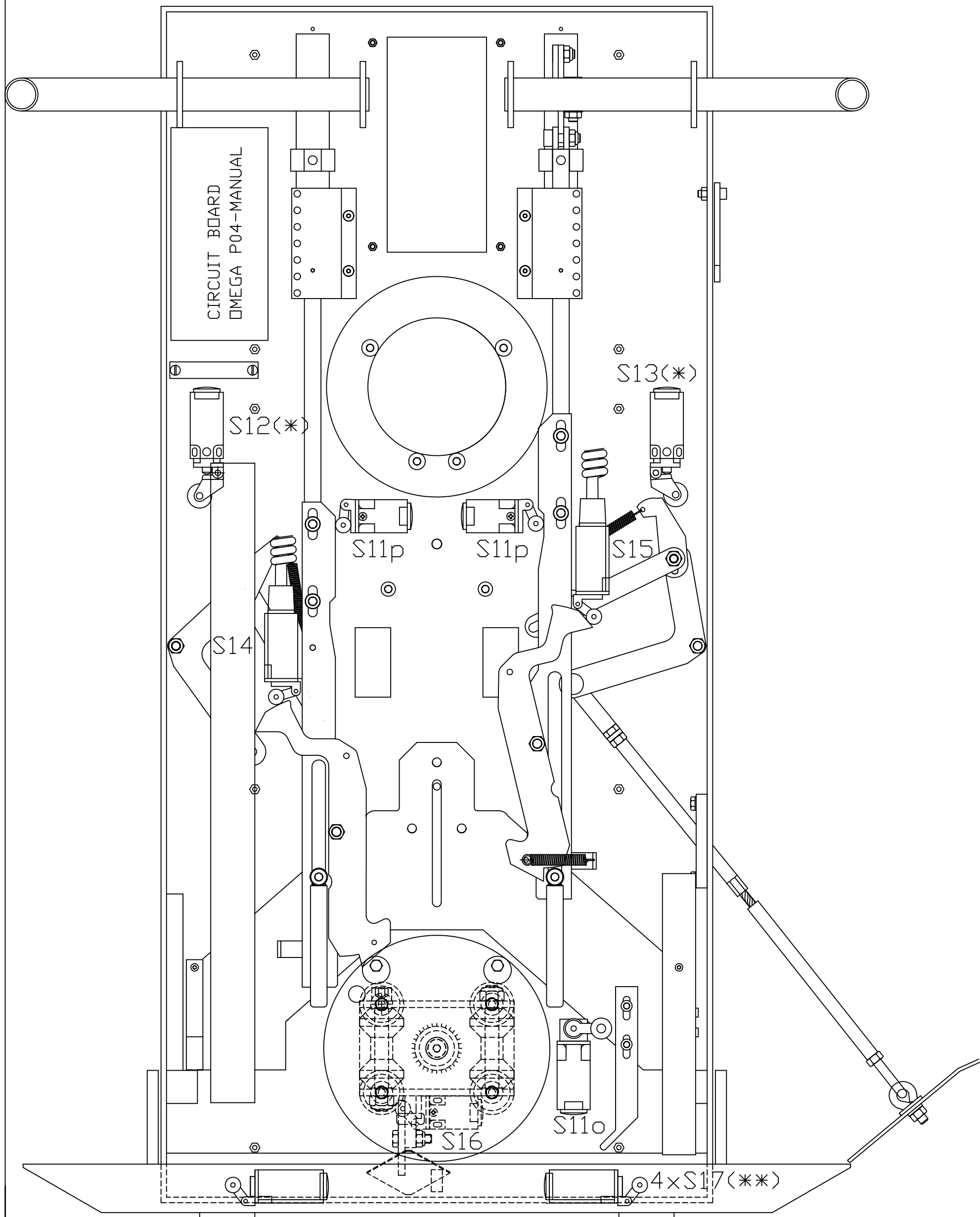


NOTE

(*) IF PLATFORM HAS ONLY ONE RAMP, SWITCH S12 (S13) TYPE FR607 IS SUBSTITUTED WITH TWO SENSITIVE EDGES SWITCHES TYPE FR501 ON RAMPLES SIDE

(**) 4 FLOOR SWITCHES ONLY BY PLATFORM WITH SAFETY BOTTOM

**POSITION SWITCHES
AUTOMATIC PLATFORM**



NOTE

(*) IF PLATFORM HAS ONLY ONE RAMP, SWITCH S12 (S13) TYPE FR607 IS SUBSTITUTED WITH TWO SENSITIVE EDGES SWITCHES TYPE FR501 ON RAMP'S SIDE

(**) 4 FLOOR SWITCHES ONLY BY PLATFORM WITH SAFETY BOTTOM

**POSITION SWITCHES
MANUAL PLATFORM**